

# Standard Retrofit Master Flash<sup>®</sup>

**INSTALLATION GUIDE**

For the **Metal Roofing Industry**

Advanced Ozone Resistance tested to...		EPDM 70 hour @ 500 pphm	HIGH TEMP RED/GRAY SILICONE 70 hour @ 500 pphm
High Temperature Resistance Tested to	Intermittent	+135°C (+275°F)	+260°C (+500°F)
	Continuous	+100°C (+212°F)	+225°C (+437°F)
Low Temperature Resistance tested to...		-55°C (-67°F)	-74°C (-101°F)
Compression Set Maximum...		25%	50%

\*Complete specification data and testing methods are available upon request.

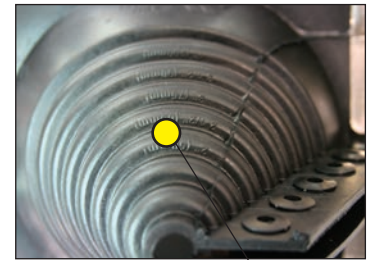
**Available in three sizes**

**Designed to seal existing pipes/vents that requires a wrap-around existing or hard to reach installation**

**Weather Protection**

**Made of EPDM or High Temp Red Silicone,**

These flashings are compounded specifically for maximum resistance to weathering due to ozone and ultraviolet light.



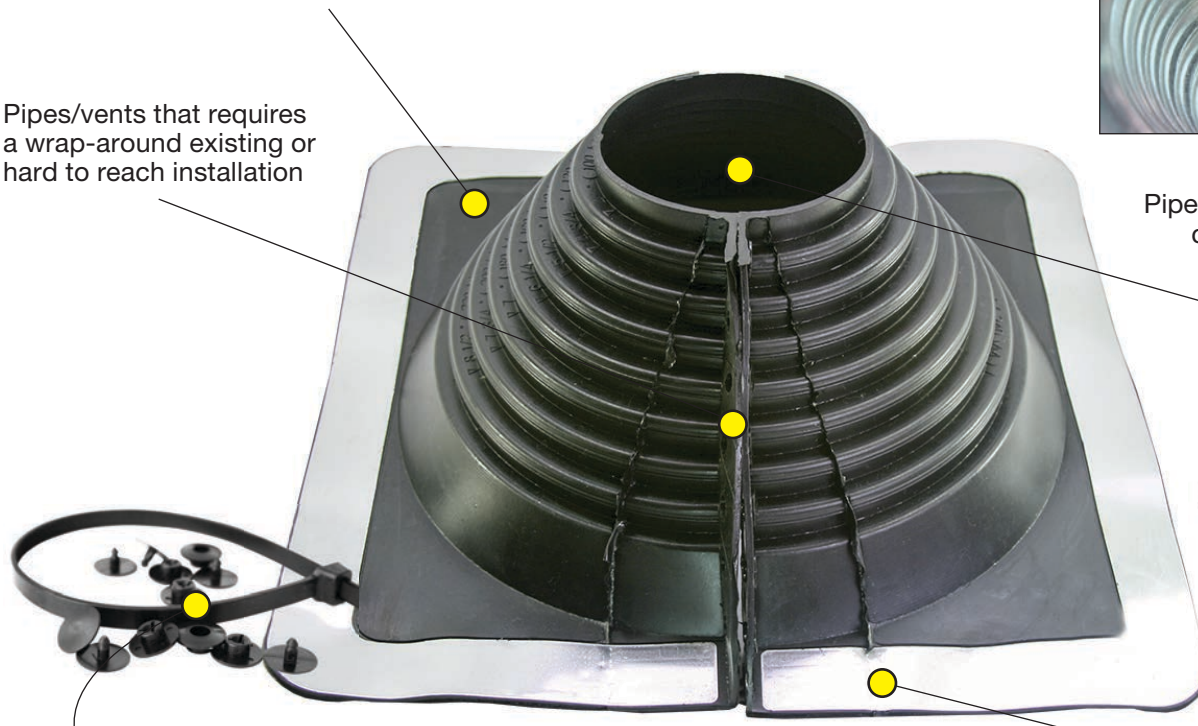
Pipes/vents that requires a wrap-around existing or hard to reach installation

Pipe diameters can be seen clearly for proper fitting.

Unique compression seal technology



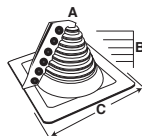
Easily Installed aluminum fastener snaps included with the Silicone flashing



Easily Installed plastic fastener snaps included

The base is designed to mold to most panel configurations and roof pitches regardless of pipe location.

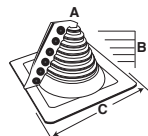
**Adaptable Base**



**#1 Standard Retrofit Flashing Details**

A-Top Opening	7/8" (22mm)
B-Cut to suit pipe size	7/8" - 4" (22 - 101mm)
C-Base	8" (203mm)

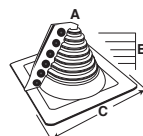
\* Part # RF101BP (Black)



**#2 Standard Retrofit Flashing Details**

A-Top Opening	4" (101mm)
B-Cut to suit pipe size	4" - 9" (101 - 228mm)
C-Base	14" (355mm)

\* Part # RF201BP (Black)



**#3 Standard Retrofit Flashing Details**

A-Top Opening	9-1/2" (241mm)
B-Cut to suit pipe size	9-1/2" - 17" (241 - 431mm)
C-Base	21-1/2" (546mm)

\* Part # RF301BP (Black)

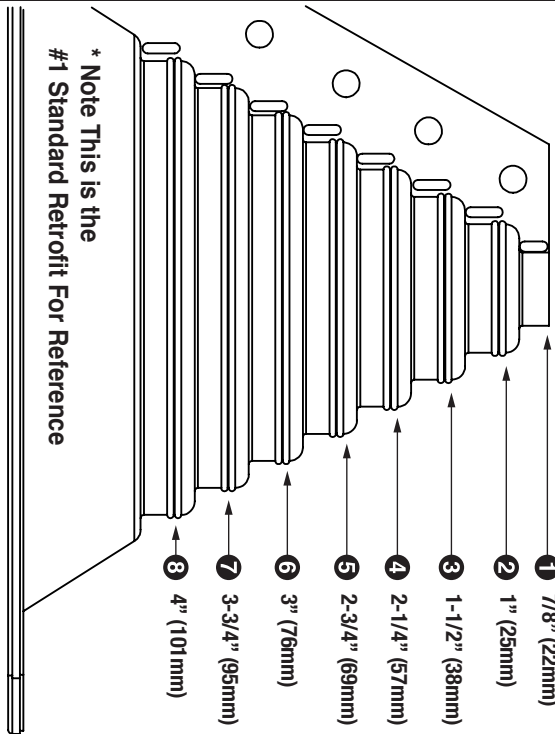
# Standard Retrofit Master Flash®

## INSTALLATION GUIDE

### Standard Retrofit Size and Trimming

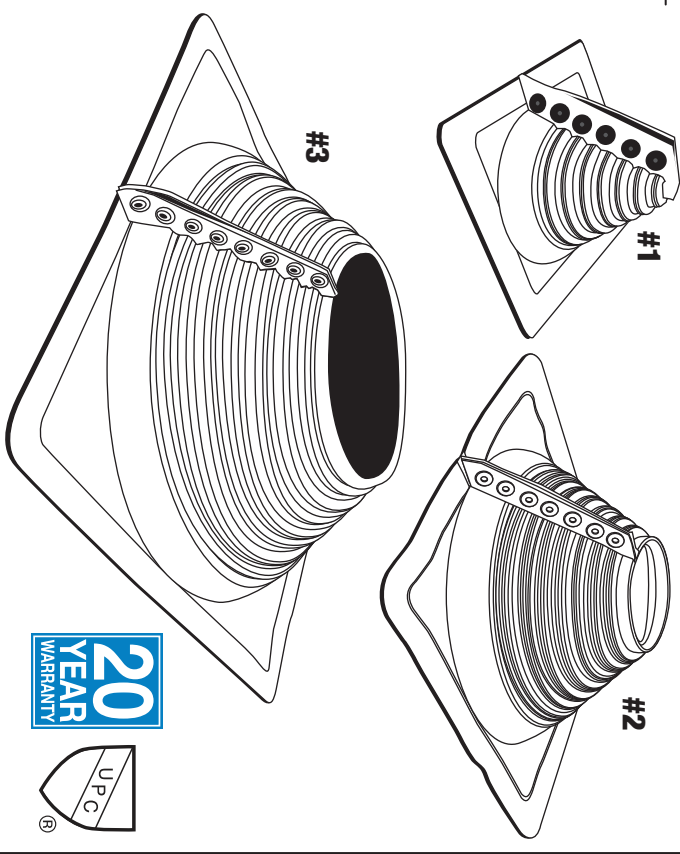
Standard Retrofit Pipe Range		#1	#2	#3	
1	7/8" (22mm)	1	4" (101mm)	1	9-1/2" (241mm)
2	1" (25mm)	2	4-1/2" (114mm)	2	10-1/2" (266mm)
3	1-1/2" (38mm)	3	5-1/4" (133mm)	3	11-1/2" (292mm)
4	2-1/4" (57mm)	4	5-3/4" (146mm)	4	12-1/2" (317mm)
5	2-3/4" (69mm)	5	6-3/4" (171mm)	5	13-3/4" (349mm)
6	3" (76mm)	6	7-1/4" (184mm)	6	15" (381mm)
7	3-3/4" (95mm)	7	8" (203mm)	7	16" (406mm)
8	4" (101mm)	8	9" (228mm)	8	17" (431mm)

\* Note This is the #1 Standard Retrofit For Reference



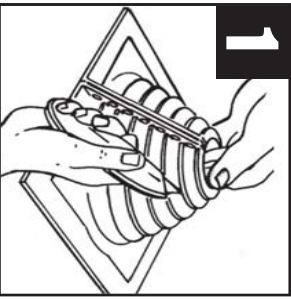
**Base Dimension: #1 8-3/16" (205mm) | #2 14-1/4" (362mm) | #3 21-1/2" (546mm)**

\* Find pipe size in table and trim Standard Retrofit Master Flash® as shown on outline. • Use one size larger Standard Retrofit Master Flash® on steep roofs or deep corrugation.  
 \* Cut the flashing at least 5%-10% less than the pipe Outer Diameter

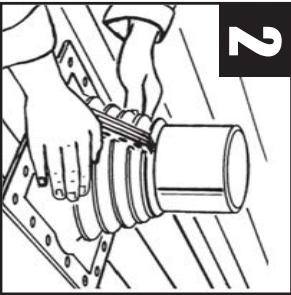


**5 Easy Steps Installation Materials:** Standard Retrofit | Snaps/Rivets | Fasteners | Washers | Pliers | Snips/Scissors | Measuring Tape | Marker/Pencil | Sealant

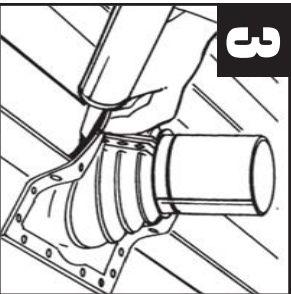
#### Measure & Trim



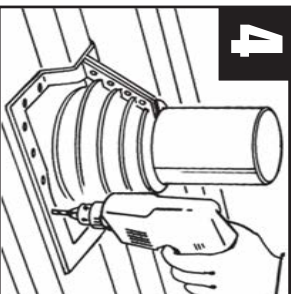
#### Wraparound



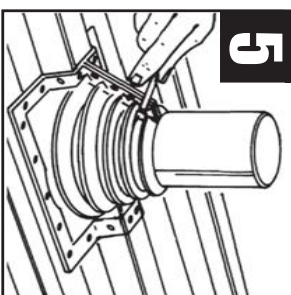
#### Seal



#### Fasten



#### Snap Rivets



Installation Guides

Note: Properly installed the base with Master Seal® Bonded Washers and fasteners. Fasteners should be 1" - 1-1/2" apart around the entire base for a tight secure seal.



**Installation Video:** <http://www.aztecwasher.com/installationvideos>

Standard Retrofit Master Flash® is a product of Aztec Washer Company 5/2023