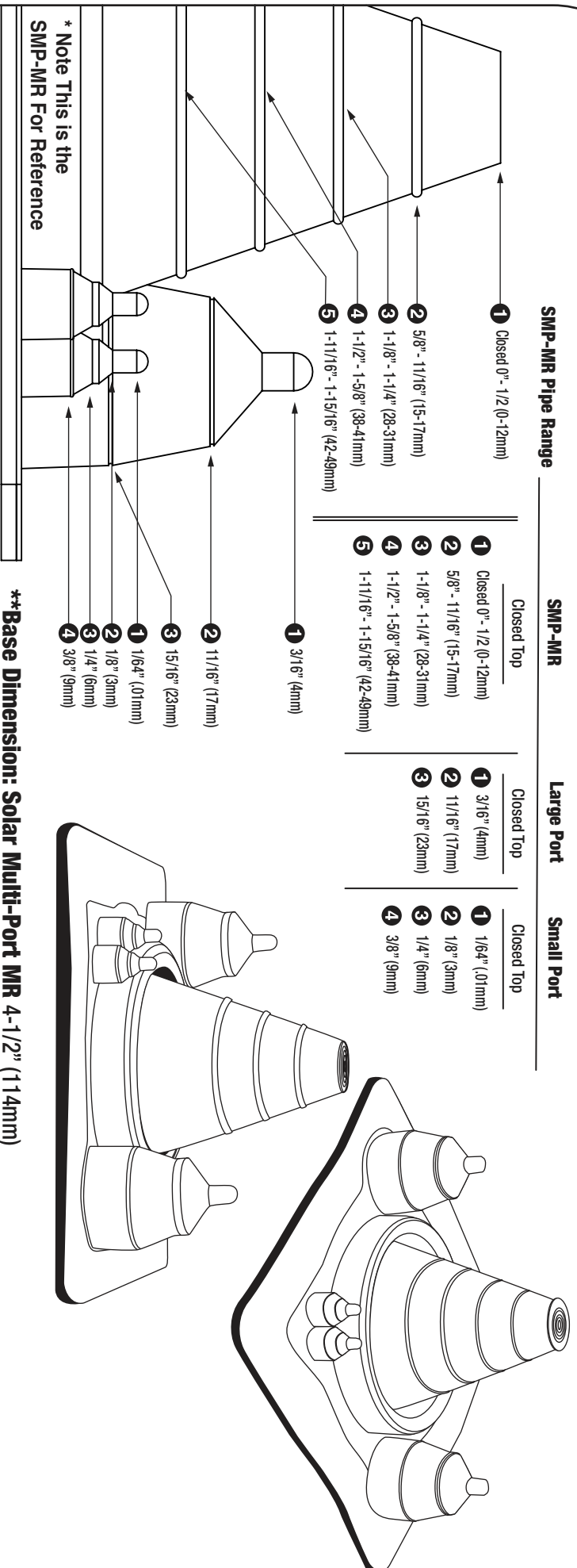


Solar Multi-Port-MR Master Flash®

Solar Multi-Port MR Size and Trimming

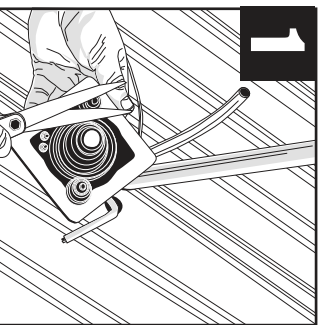


* Note This is the SMP-MR For Reference

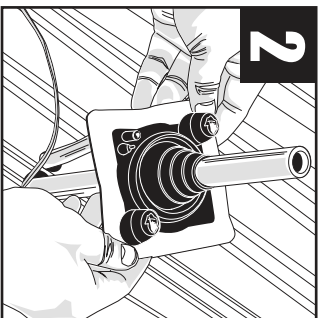
* Find pipe size in table and trim Solar Multi-Port MR Master Flash® as shown on outline. * Cut the flashing at least 20% less than the pipe Outer Diameter

5 Easy Steps Installation Materials: Solar Multi-Port MR Master Flash® | Fasteners | Washers | Snips/Scissors | Measuring Tape | Marker/Pencil | Sealant

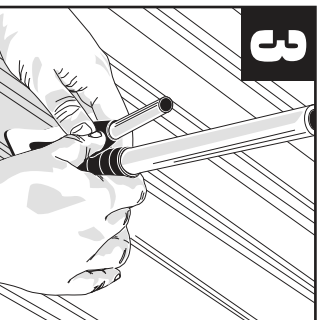
Measure & Trim



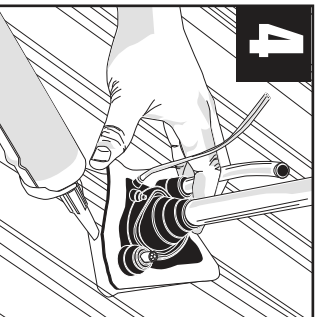
Slide



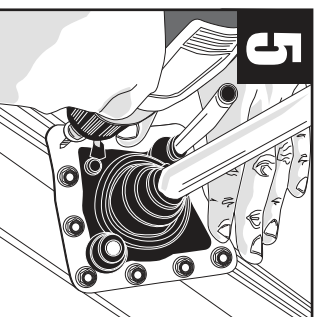
Form



Seal



Complete



Note: Properly installed the base with Master Seal® Bonded Washers and fasteners. Fasteners should be 1" - 1-1/2" apart around the entire base for a tight secure seal.



Installation Video: <http://www.aztecwasher.com/installationvideos>

Solar Multi-port MR Master Flash® is a product of Aztec Washer Company 4/2020

Roof Pitch Calculator
<https://rnc.aztecwasher.com>

Solar Multi-Port MR Master Flash®

INSTALLATION GUIDE

5 Port Design for the Metal Roofing Industry

Advanced Ozone Resistance tested to...		EPDM 70 hour @ 500 pphm	HIGH TEMP RED/GRAY SILICONE 70 hour @ 500 pphm
High Temperature Resistance Tested to	Intermittent	+135°C (+275°F)	+260°C (+500°F)
	Continuous	+100°C (+212°F)	+225°C (+437°F)
Low Temperature Resistance tested to...		-55°C (-67°F)	-74°C (-101°F)
Compression Set Maximum...		25%	50%

*Complete specification data and testing methods are available upon request.

Designed for solar, electrical, HVAC etc... applications on a metal roofs

Unique compression seal technology



Weather Protection

Made of EPDM or High Temp Red Silicone,

These flashings are compounded specifically for maximum resistance to weathering due to ozone and ultraviolet light.

Sleeve flexibility absorbs vibration and pipe movement caused by expansion/contraction

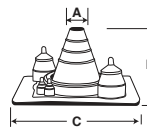
Adaptable Base

The base is designed to mold to most panel configurations and roof pitches regardless of pipe location.



Two (2) large Ports for cables or Wires

Two (2) small Ports for cables or Wires



Solar Multi-Port-MR Flashing Details

A-Top Opening	Closed
B-Overall Height	2-1/2" (63mm)
C-Base	4-1/2" (114mm)

Name	Part #	Compound	Pipe Range	Port	Port	Base
Multi Port-MR	SMP-MR101BA	Black EPDM	Closed- 1-15/16" (0 - 49mm)	1/64"-3/8" (1-9mm)	3/16"-15/16" (4-23mm)	4-1/2" (114mm)
	SMP-MR102GA	Gray EPDM				
	SMP-MR102RA	Red Silicone				
	SMP-MR102GX	Gray Silicone				